

Skinner AMS 533 TWIN

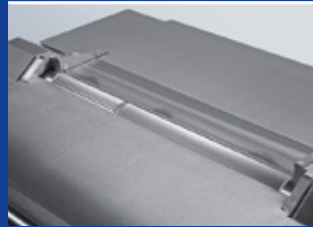


Combination machine for thick and thin.

The ASE 533 TWIN skinning machine is particularly suited to processing cuts with thick tendons and skin, such as pork loin, pork silverside, beef or veal silverside and boiled beef fillet.



weber[®]
The High Tech Company



Powerful

- › Removal of tendons and skin with one machine
- › TWIN transport rollers and specially coordinated blades provide the highest possible yields
- › Ideal cutting width for powerful skinning and tendon removal in large and small cuts



Safe

- › Effort-saving work table design due to ergonomic machine assembly
- › Blade guard in cleaning position
- › Gear brake motor with quick stop



Flexible

- › Product-specific precision adjustment
- › Leverless machine, so no wasted space at the installation site
- › With integrated crate shelf

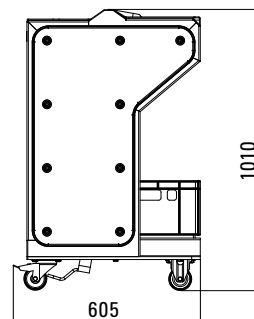
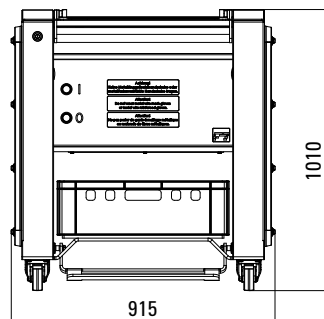
Technical Data

AMS 533 TWIN

Motor output (kW):	0.75
Cutting width (mm):	533
Net weight (kg):	230
Power connection (V/Hz/A):	400/50/16
Compressed air (bar):	6

Options:

- › Quick-clamp blade holder for tool-less blade changing
- › Body lever switch
- › Skinning procedure protection
- › Skinning gloves
- › Special tension rollers



weber[®]
The High Tech Company

Weber Maschinenbau GmbH Breidenbach

Günther-Weber-Straße 3 · 35236 Breidenbach · Germany
Fon: +49 6465 918-0 · Fax: +49 6465 918-1100

Weber Maschinenbau GmbH Neubrandenburg

Feldmark 11 · 17034 Neubrandenburg · Germany
Fon: +49 395 4506-0 · Fax: +49 395 4506-1110

info@weberweb.com · www.weberweb.com