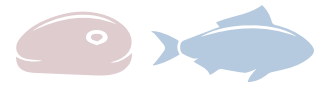


## **SRA 3.0** **AUTOMATIC CUTTING SAW**



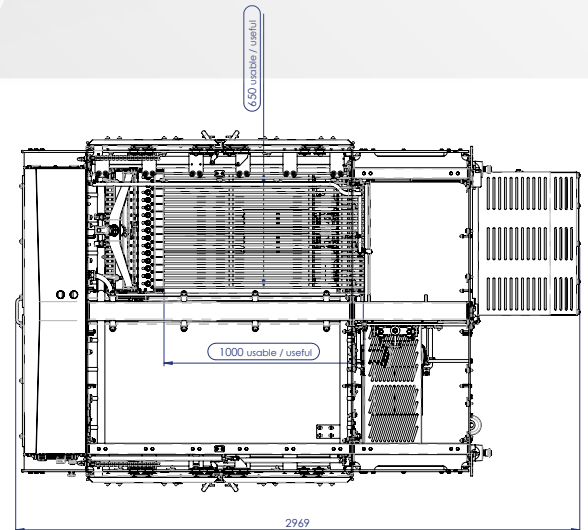
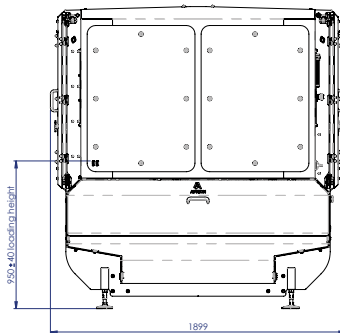
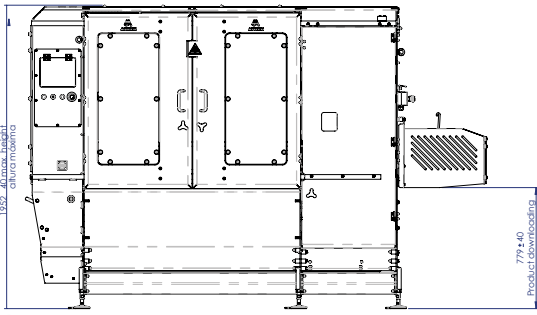
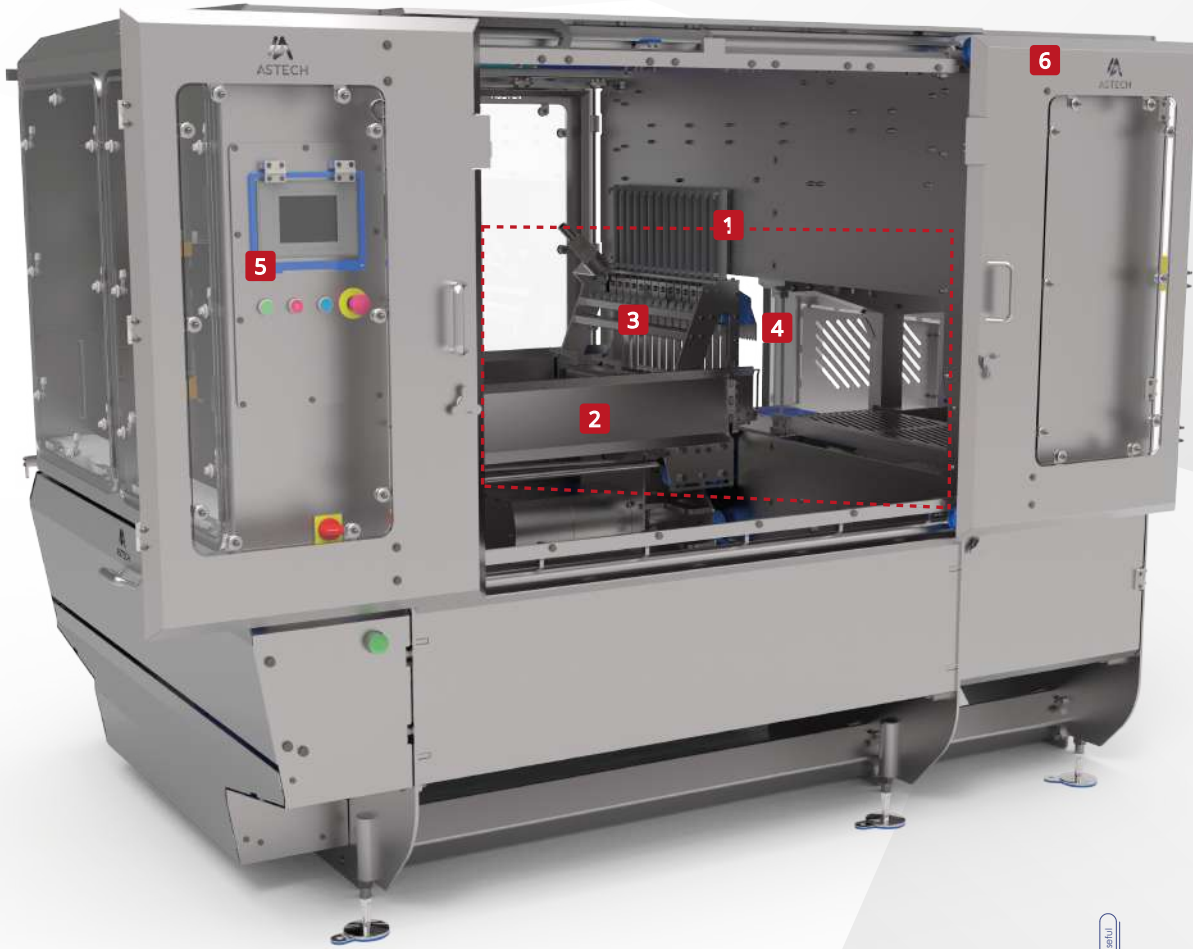
Automatic saw for **cutting frozen and fresh** (following previous study) **products, with and without bone**. A compact and robust machine that offers high production per operative, precision in the thickness of the cuts and above all maximum safety during use.



### **Operational features**

- ▶ Perfectly adjustable cutting speed, which ensures high quality cuts.
- ▶ Frozen and fresh meat and fish cuts\*, with and without bone.
- ▶ Hygienic design for easy cleaning.
- ▶ Completely safe working process (fully enclosed machine).
- ▶ Automatic opening and closing of doors.
- ▶ Possibility of loading product from both sides of the machine.
- ▶ Band saw cutting process.
- ▶ A versatile easy to operate program with the option of storing up to 50 different recipes.

*\* under prior study*



- 1** Product loading area
- 2** Product loading trolley
- 3** Gripping clamps
- 4** Band saw
- 5** Control panel
- 6** Sliding doors

## Technical characteristics

**Machine dimensions (L x W x H)**  
2970 (4040) x 1900 (3155) x 1955 mm

**Loading area dimensions (L x W x H)**  
1000 x 650 x 200 mm

**Maximum cut thickness**  
280 mm

**Compressed air**  
Pressure 6 bar  
(10,7l/compl. cycle)

**Power**  
8,2 kW

**Cutting blade**  
2680 x 19 mm